

Our Clients



Kanhaiyalal[®]
Tandoor Pvt. Ltd.
ISO 9001:2015

Manufacturer & Exporter
www.kanhaiyaltandoor.com

Contact Us

Office : C-4/40, Sector 11, Rohini, New Delhi - 110085.

Factory : C-48, Swami Shardha Nand Park, Tandoor Wali Gali, Bhalaswa Dairy,
Opp. Sanjay Gandhi Transport Nagar, Delhi - 110042, INDIA.

Call : +91 98101 21141 & 98102 18816

E-mail : sales@kanhaiyaltandoor.com

Website : www.kanhaiyaltandoor.com



Visit Our Webpage

TANDOORS · PIZZA OVENS · GRILLS





Kanhaiyalal Tandoor ; Quality & Manufacturer

Kanhaiyalal Tandoors is a manufacturer and exporter of high-quality tandoors and related equipment based in India. The company was established in 2008-09 and has since then gained a reputation for its excellent craftsmanship and commitment to customer satisfaction.

The company offers a wide range of tandoors, including Gas tandoors, Charcoal tandoors, and Electric tandoors, each designed to meet specific customer requirements. The tandoors are made using high-quality materials and are available in various sizes and shapes to cater to the needs of restaurants, hotels, and catering companies.

Apart from tandoors, the company also offers a range of related equipment, such as Bbq Pizza Ovens and Smoker grill. These products are designed to complement the tandoors and enhance the cooking experience.

Kanhaiyalal Tandoors has a strong presence in the international market and exports its products to several countries across the globe, including the United States, the United Kingdom, Canada, Australia, and the Middle East. The company has a dedicated team of professionals who ensure that the products are delivered on time and meet the highest quality standards.

In addition to its manufacturing operations, Kanhaiyalal Tandoors also provides after-sales services, such as installation, maintenance, and repair of the tandoors. The company has a customer-centric approach and strives to provide the best possible service to its clients.

Overall, Kanhaiyalal Tandoors is a reputable and reliable manufacturer of tandoors and related equipment, with a strong commitment to quality, customer satisfaction, and innovation.

TANDOORS · PIZZA OVENS · GRILLS

THE BEST TANDOOR
FOR THE

DELISH
YOU'LL
RELISH

Regarding the Tandoors made by you for our restaurant Punjab Grill located at Palladium mall, Mumbai. The tandoors design have won many accolades from our guests, industry veterans and Chefs. The design and carvings are artfully made and quality of tandoors is strong. Although we had discussed only the carving design of tandoors, your proactive approach of going a step ahead and designing its base and its wheels is truly appreciated. It gives me more confidence about your dedication and quality control that how you view your own products is not limited to a one time delivery, but a wider thought of developing faith in your customers post product delivery. I also appreciate the care you took in packaging and transport of tandoors. Thank you for establishing a truly meaningful business partnership.

Best regards,
Amitesh Viridi
Executive Chef | Punjab Grill
Lite Bite Foods Pvt. Ltd.

Kanhaiyalal Tandoor: First of all I would always appreciate the Efficiency of Tandoor Product from Kanhaiyalal is the very impeccable. Tandoor is the soul of the Kitchen, product of Tandoor is very long lasting.

We had open several fine dine Restaurant across the globe, we Really Thank full for Kanhaiyalal for his Excellent commitment To Delivery the Tandoor on time for our all project..

Elegant and Design of different clay oven to suit our cooking is the phenomenal!

We wish Entire team of kanhaiyalal all the Best for his entire Endeavour.

Culinary Regards
Chef Javed, Punjab Grill, Singapore

I want to extend my thought about the "Kanhaiyalal tandoor" I know this brand from last 7 years and after knowing this brand there is no need seeks any other brand for tandoor and accessories. Best quality of tandoors, prompt service, sincere behavior makes this brand different then others. My best wishes with the company.

Anand Tiwari
(Asst. Manager FnB Support)
Welcom Hotel Dwarka

Kanhaiyalal Tandoor - Delhi - is not only your way to Solutions for your tandoor solutions, but also a good bonding makes a perfect business. The entire team of KTPL is just WOW. Specially Mr Pankaj, They have a good hospitality too with their services. Specially Kudos to Mr Pankaj. First time I have done business with them. Absolute top-notch customer service from the time I sent my first order to the ultra fast delivery. The concept which I guided, I got in the same condition as represented and described. I am truly happy having met this company and would not hesitate to do business with them in future.

Recommending personally to feel their products, specially Wood Fire Dome Oven.

Regards,
Chef Faith Punjabi
Madehow Hospitality Restaurant & Hotel Consultant

I heard Kanhaiyalal Tandoor is one of most famous tandoor companies in India. So, I visited their factory in India myself and then I purchased 10 tandoors for my Indian Restaurants.

When you try one of their tandoors, you will find this combination of techniques provides a unique flavor that is truly exclusive to cooking with a tandoor oven.

I highly recommend you Kanhaiyalal Tandoor!!!!

No. 1 tandoor in the World!!!

Seon Baek
KARI Indian Restaurant in Korea

My experience with Kanhaiyalal Tandoor has been extremely positive. Using their Tandoors since a decade. Their services and the quality of tandoor is remarkable in terms of clay they are using, the insulation layer and the outer finishing.

Chef Harpreet Singh
Assistant Professor
Department of Tourism and Hospitality Guru Nanak Dev University

I just wanted to share a quick note and let you know that you guys do a really good job. I'm glad I decided to work with you. We never have any problem at all.

Mejar Sonar (Sr. Manager SCM)
Lite Bite Foods Pvt Ltd

OVERVIEW

TRADITIONAL



traditional Clay Tandoor

The pots are made with a special in-house clay mix for maximum thermal shock resistance, low operation cost due to efficient insulation and balanced burner combustion.

Model	Width	Height	Mouth Dia	Weight
KTC 26	26	30	14	65
KTC 28	28	32	15	80
KTC 30	30	34	15	95
KTC 32	32	35	16	115

*All sizes are mention in inches and weight in kilograms. Customization can be done according to requirements

classic Square Tandoor

A clay pot is fitted in a MS Angle frame work of 18 grade in a Hairline finish, with a provision of a outlet. 4 Handles (collapsible type) are provided lifting, pushing & pulling. The pot inside is in barrel shape insulated with mm thick insulation with swing cartosat the bottom to make l mobile.

Model	Length	Width	Height	Mouth Dia	Weight
KTSS 28	28	28	37	15	210
KTSS 30	30	30	37	15	260
KTSS 32	32	32	37	15	285
KTSS 34	34	34	37	15	295
KTSS 36	36	36	37	16	340



Model : KTSS



Charcoal Operated

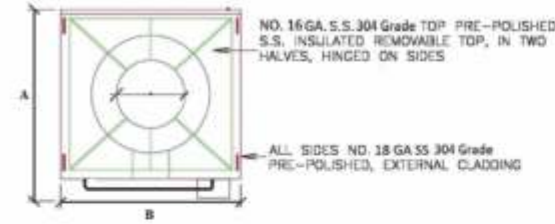


Gas System Manual

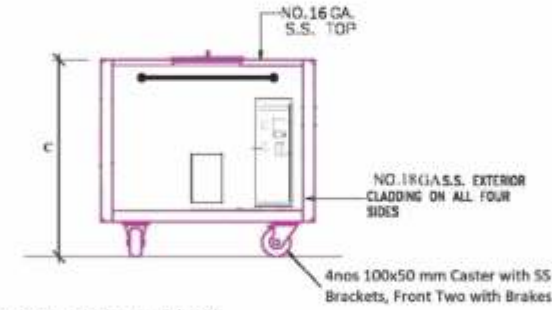
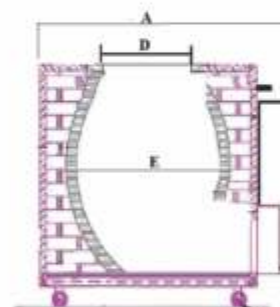
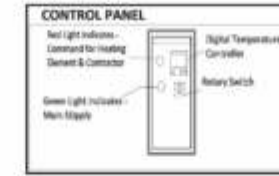


Gas System With Flame Failure Device

*All sizes are mention in inches and weight in kilograms. *Customization can be done according to requirements. *Available in Copper, Rose Gold Finish.



NO. 16 GA. S.S. 304 Grade TOP PRE-POLISHED S.S. INSULATED REMOVABLE TOP, IN TWO HALVES, HINGED ON SIDES
ALL SIDES NO. 18 GA SS 304 Grade PRE-POLISHED, EXTERNAL CLADDING



4nos 100x50 mm Caster with SS Brackets, Front Two with Brakes

NO. 18 GA S.S. EXTERIOR CLADDING ON ALL FOUR SIDES

Model	Length	Width	Height	Mouth Dia	Weight
KTSE 30	32+8	30	37	15	220
KTSE 34	36+8	34	37	16	250

*All sizes are mention in inches and weight in kilograms. *Customization can be done according to requirements. *Available in Copper, Rose Gold Finish.

stainless steel Electric Tandoor



Model : KTSE

TANDOORI Treat

Copper hammered Barrel Electric Tandoor

- Heat Resistant Handle On Mouth Cover,
- Heavy Metal Ring On Top,
- 16 GA Stainless Steel Top,
- Front Electric Panel,
- Three Layer Insulation,
- 10 Kw Air Heating Coil,
- 440v, 3 Phase
- Heat Resistant Handle On Mouth Cover,
- Heavy Metal Ring On Top,
- 16 GA Stainless Steel Top,
- Front Electric Panel,
- Three Layer Insulation,
- 10 Kw Air Heating Coil,
- 440v, 3 Phase

Model	Width	Height	Mouth Dia	Weight
KTCE 35	35	35	15	350



Model : KTCE

*All sizes are mention in inches and weight in kilograms. *Customization can be done according to requirements. *Available in Copper, Rose Gold Finish.

Traditional Stainless Steel Gas Tandoor

A clay pot is fitted in a MS Angle frame work of 18 grade in a Hairline finish, with a provision of a outlet. 4 Handles (collapsible type) are provided lifting, pushing & pulling. The pot inside is in barrel shape insulated with mm thick insulation with swing cartosat the bottom to make it mobile.



Model	Length	Width	Height	Mouth Dia	Weight
KTSSG 28	28	28	37	15	210
KTSSG 30	30	30	37	15	260
KTSSG 32	32	32	37	15	285
KTSSG 34	34	34	37	15	295
KTSSG 36	36	36	37	16	340

*All sizes are mention in inches and weight in kilograms.
*Customization can be done according to requirements.
*Available in Copper, Rose Gold Finish.



Model : KTSSG



Rose Gold Barrel Tandoor

SS Hammered Barrel Gas Tandoor

Copper Hammered Barrel Gas Tandoor



Charcoal Operated



Electric Power Operated



Gas System Manual

Model	Width	Height	Mouth Dia	Weight
KTCB 30	30	37	14	250
KTCB 35	35	35	15	300



Gas System With Flame Failure Device



Copper Hammered Tandoor Top

*All sizes are mention in inches and weight in kilograms. *Customization can be done according to requirements. *Available in Copper, Rose Gold Finish.

WE SERVE
PASSION
With Love



Model : KTSS

Advance Gas With Flame Failure Device

A clay pot is fitted in a MS Angle frame work of 18 grade in a Hairline finish, with a provision of a outlet. 4 Handles (collapsible type) are provided lifting, pushing & pulling. The pot inside is in barrel shape insulated with mm thick insulation with swing cartosat the bottom to make it mobile.



Gas System With Flame Failure Device

Model	Length	Width	Height	Mouth Dia	Weight
KTSS 28	28	28	37	15	210
KTSS 30	30	30	37	15	260
KTSS 32	32	32	37	15	285
KTSS 34	34	34	37	15	295
KTSS 36	36	36	37	16	340

*All sizes are mention in inches and weight in kilograms. *Customization can be done according to requirements. *Available in Copper, Rose Gold Finish.

JUST FRIENDLY REMINDER
YOU NEED

Tandoori Flavours



Copper Hammered Barrel Tandoor

Copper Paisley Barrel Tandoor

Traditional Barrel Tandoor

We are also engaged in manufacturing & supplying of Copper Tandoors. As the name suggests quality copper material used for outer body of tandoor and garnished by other metals like copper and brass.

The inside body is premium quality clay pots which provide long service life. These tandoors are major attraction in open live kitchens in hotels, restaurants and outdoor catering.

classic

Round Tandoor

They are available in different sizes. Round and cylindrical shapes. Made from stainless steel The inside clay pot is made from naturally sourced material and variations of shrinkage might occur. These are durable, corrosion resistant, and operational in varying temperatures.

Model	Width	Height	Mouth Dia	Weight
KTSR 20	20	24	13	100
KTSR 23	23	32	14	122
KTSR 28	28	32	15	210
KTSR 30	30	32	15	260
KTSR 32	32	32	15	285
KTSR 34	34	32	15	295
KTSR 36	36	32	16	340

*All sizes are mention in inches and weight in kilograms.
*Customization can be done according to requirements.
*Available in Copper, Rose Gold Finish.



Model : KTRR

Model : KTSR



Charcoal Operated



Gas System Manual



Gas System With Flame Failure Device

stainless steel
Home Tandoor



Model : KTSH

Model : KTCR

Round hammered Copper Tandoor

They are available in different sizes. Round and cylindrical shapes. Made from stainless steel The inside clay pot is made from naturally sourced material and variations of shrinkage might occur. These are durable, corrosion resistant, and operational in varying temperatures.



Charcoal Operated



Gas System Manual



Gas System With Flame Failure Device

Model	Width	Height	Mouth Dia	Weight
KTSH 16	16	22	10	60
KTSH 18	18	26	12	80
KTCR 20	20	24	13	100
KTCR 23	23	32	14	122

*All sizes are mention in inches and weight in kilograms.
*Customization can be done according to requirements.
*Available in Copper, Rose Gold Finish.

classic

Mosaic Tiles Tandoor



Charcoal Operated



Gas System Manual



Electric Power Operated

Model	Width	Length	Height	Mouth Dia	Weight
KTM 40	40	14	37	16	350

*All sizes are mention in inches and weight in kilograms.
*Customization can be done according to requirements.
*Available in Copper, Rose Gold Finish.

SS Gas Grill - LPG



Width	Depth	Height
30	22	22

*All sizes are mention in inches and weight in kilograms.
*Customization can be done according to requirements.
*Available in Copper, Rose Gold Finish.

traditional
MS Round Tandoor

A clay pot is fitted in a MS / SS Barrel of 18 gauges in a plain design with 3 ss straps tied round its top, center and bottom for reinforcement along with a provision of ash outlet. 4 Handles (collapsible type) are provided lifting, pushing and pulling. The pot inside the barrel is duly insulated with thermal insulations, glass wool, instant use type with 4 swivel castors at the bottom to make it mobile.



Charcoal Operated



Gas System Manual

Model	Width	Height	Mouth Dia	Weight
KTMR 26	18	28	11	70
KTMR 26	23	37	14	122
KTMR 28	28	37	15	210
KTMR 30	30	37	15	260

*All sizes are mention in inches and weight in kilograms.
*Customization can be done according to requirements.

Tales of
TANDOOR





traditional
MS Square Tandoor



Steel Top View



Gas System Manual



Charcoal Operated



Gas System Manual

Model	Length	Width	Height	Mouth Dia	Weight
KTMS 28	28	28	37	15	210
KTMS 30	30	30	37	15	260
KTMS 32	32	32	37	15	285
KTMS 34	34	34	37	15	295
KTMS 36	36	36	37	16	340

*All sizes are mention in inches and weight in kilograms.
*Customization can be done according to requirements.

rocking
Rotary Grill



Gas System Manual



Charcoal Operated

Item Code : KTRG

Width 52 | Depth 28 | Height 35+18

Desi
Garden Tandoor



Gas System Manual



Charcoal Operated

Item Code : KTCC

Width 30 | Depth 24 | Height 37



TANDOORI KULCHA COUNTER



TROLLEY TANDOOR

classic
Romali Roti Stand



KTSR-T



KTR



KTSR



KTCR

Model	Dia	Height
KTSR - T	18"	12"
KTR	10"	35"
KTSR	18"	35"
KTCR	18"	35"



Charcoal Operated



Gas System Manual

*All sizes are mention in inches and weight in kilograms.
*Customization can be done according to requirements



classic
Drum Gas Grill



Gas System Manual

Model	Width	Mouth Dia	Height	Weight
KTIR 35	35	24	35	60

*All sizes are mention in inches and weight in kilograms.
*Customization can be done according to requirements.



classic
Barrel Smoker



Charcoal Operated

Item Code : KTBS 35
Width 35 | Dia 24 | Length 35



*All sizes are mention in inches and weight in kilograms.
*Customization can be done according to requirements.

Desi Tandoori Chai Cart



Model : KTTCC
Width 44 | Depth 24 | Height 50



Model : KTCW
Width 44 | Depth 24 | Height 50



Inside View

party with Bar Be Que



Model	Width	Depth	Height
KTBBQ 36	36	18	70
KTBBQ 40	40	20	70

SS Bar Be Que Trolley



SS Bar Be Que with Hood & Canopy



SS Bar Be Que with Canopy



SS Bar Be Que Trolley



morden Pizza Oven

Cooking surface:	External dimensions:	Capacity:	Temperature maximum:
25 x 17 in 25 x 34 in	36 x 40 x 60 in 24 x 32 x 60 in	8 pizzas 8 in 3 pizzas 8 in	300°C to 350°C



Outer Finishes:



The entirely steel still vault makes it possible to reach high temperatures with wood and gas.



Cooking surface made of interchangeable refractory tiles 2.5 cm thick.



The wood can be neatly stored in the base shelf and uses as required.



When the door is closed, the flame is weaker and the food is cooked by conduction and is cooked by conduction and convection. When the door is open, the flame is stronger, open, the flame is stronger, contributing to making food be browned and crispy.

Traditional Gas Fired Pizza Oven with MS Top & Rosegold finish

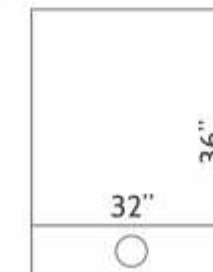
Gas Fired Pizza Oven with MS Top & Rosegold finish

Model	Length	Weight	Mouth Dia	Capacity	Weight
KTSP0 42	42"	44"	14"	8" - 5 12" - 4	250 kg

*All sizes are mention in inches and weight in kilograms. Customization can be done according to requirements

Insulation - Ceramic Blankets & Fire Bricks

Outer Finishes:



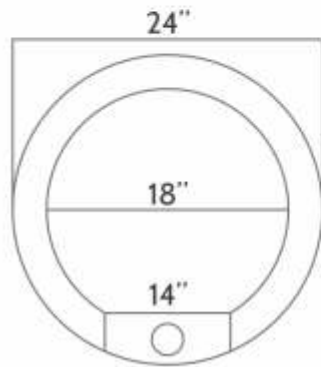
Model : KTSP0 42

Stylish

Pizza Oven with Steel Dome

Model	Outer Dia	Inner Dia	Mouth Dia	Capacity	Weight
KTSP0 24	24"	18"	14"	12"-1no	80 kg

*All sizes are mention in inches and weight in kilograms. Customization can be done according to requirements.



Insulation - Ceramic Blankets
Outer Finishes:



MODEL : KTSP0 24



MODEL : KTSP0 36

Outer Finishes:



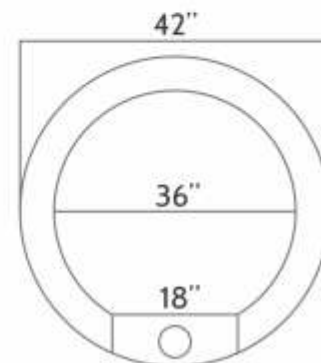
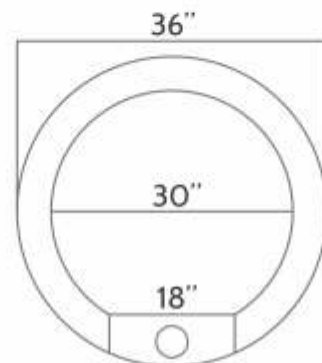
Morden

Pizza Oven with Steel Dome

Model	Outer Dia	Inner Dia	Mouth Dia	Capacity	Weight
KTSP0 36	36"	30"	18"	8"-3 12"-2	135 kg
KTSP0 42	42"	36"	18"	8"-5 12"-4	135 kg

*All sizes are mention in inches and weight in kilograms. Customization can be done according to requirements

Insulation - Ceramic Blankets & Fire Bricks



Classic

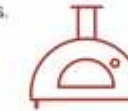
Pizza Oven with Brick Dome

Model	Outer Dia	Inner Dia	Mouth Dia	Capacity	Weight
KTBP0 42	42"	36"	18"	8"- 5 to 6/12" - 4	1200 kg
KTBP0 50	50"	42"	18"	8"- 7 to 8/12" - 6	1600 kg
KTBP0 60	60"	52"	20"	8"- 9 to 10/12" - 7 to 8	1900 kg

*All sizes are mention in inches and weight in kilograms. Customization can be done according to requirements

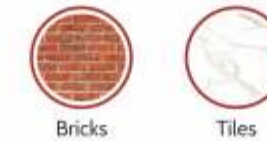


Insulation - Ceramic Blankets, Concrete & Fire Bricks



The entirely steel still vault makes it possible to reach high temperatures with wood and gas.

Outer Finishes:



MODEL : KTBP0 42/50/60



MODEL : KTBP0 45

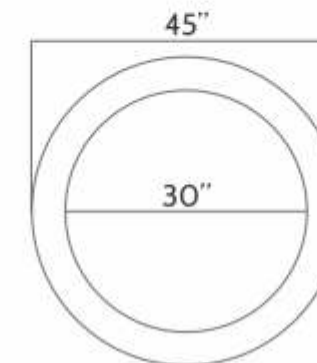
Advance

Pizza Oven Electric Operated

Model	Outer Dia	Inner Dia	Mouth Dia	Capacity	Weight
KTBP0 45	45"	30"	14"	8"-6 12"-4	600kg

*All sizes are mention in inches and weight in kilograms. Customization can be done according to requirements

Insulation - Ceramic Blankets & Fire Bricks



Perfection comes with
INNOVATION

Kanhaiyalal[®]
Tandoor Pvt. Ltd.

ISO 9001:2015

Manufacturer & Exporter
www.kanhaiyalaltandoor.com

EQUIPMENT YOUR
KITCHEN & OUTDOOR CATERING CAN RELY ON



SINGLE BURNER RANGE



THREE BURNER RANGE



THREE BURNER RANGE



CHINESE BURNER RANGE



WET GRINDER



GRIDDLE PLATE



WET GRINDER



SPREADER TABLE



www.kanhaiyalaltandoor.com

classic
Copper Barrel
Rumali Roti Stand



KTCBR 90

Copper Barrel
Tawa Stand



Model	Outer Dia	Height
KTCBR 35	35"	44"
KTCBT 35	35"	35"

our
Network

- | | | | | |
|---------------|-----------|-------------|--------------|-----------|
| Australia | Fiji | Mexico | Saudi | Poland |
| Azerbaijan | Indonesia | Nepal | Arabia | Sri Lanka |
| Bahrain | Japan | Netherland | Singapore | Tanzania |
| Bangladesh | Jordan | Oman | South Africa | Thailand |
| Belgium | Kenya | Peru | South Korea | UAE |
| Bhutan | Kuwait | Philippines | Spain | USA |
| Canada ip | Lithuania | Qatar | | Vietnam |
| Czeh Republic | Maldives | Russia | | |



premium
Terracotta Range



Chafing Dish
2 ltrs, 4 Ltrs & Ltrs



Kettle -: 1 Ltr



Serving Handi
500 ml & 1000 ml



Cooking Handi
250 ml, 50 ml, 750 ml
1000 ml & 2000 ml



Bowl
80 ml, 100 ml
150 ml & 200 ml



Glass
70 ml, 100 ml, 120 ml, 150 ml
200 ml, 250 ml, 500 ml & 650 ml



Plate
5 inch
6 inch & 7 inch

helper
Accessories



Hook & Scraper Set



Skewers



Lava Stone



Naan Gaddi Cushion